

## Three-position Key Switch (45°)

Contact Code	Contact Block		Logic Table			Cam Code	Maintained 1 0 2
	No.	Contact	1	0	2		
2NC (02)	①	NC		■		-	HW1K-3PA02
	②	NC	■				
2NO-2NC (22N1)	①	NO	●			-	HW1K-3PA22N1
	②	NO			●		
	③	NC		■			
	④	NC	■				
2NO (02)	①	NO	●			-	HW1K-3PA20
	②	NO			●		
2NO-1NC (21N1)	①	NO	●			J	HW1K-3JPA21N1
	②	NO			●		
	③	NC		●			
	☆ ④	-	Dummy Block				
2NO-2NC (22N9)	①	NC			●	S	HW1K-3SPA22N9
	②	NC	●				
	③	NO	■				
	☆ ④	NO			●		
4NC (04)	①	NC			●	S	HW1K-3SPA04
	②	NC	●				
	③	NC			●		
	☆ ④	NC	●				

Contact Block Mounting Position



**!** On the contact arrangement marked with ☆ in the table above, the rated current (load switching current) is reduced to a half of the rated current of the contact block. The rated insulation voltage and the rated thermal current remain unchanged.

For models with ☆, contacts may overlap when the operator position is changed.

For contact block mounting position, see the figure on the right.

Each key selector switch is supplied with two keys.

15 types of key numbers are available in addition to standard (500) key.

Key number 500 is supplied as the default key in table above (500 not added to part number).

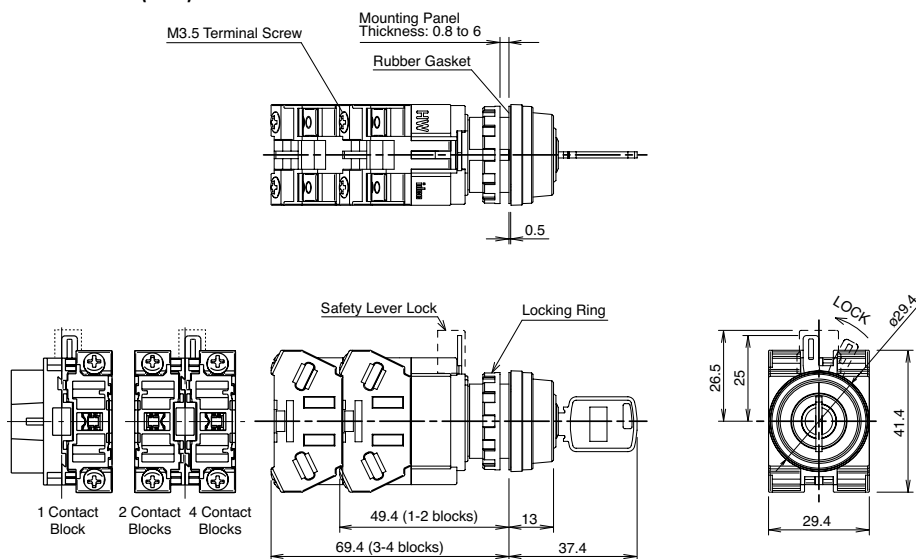
To order additional key types, specify key number at end of part number (special order).

Example: HS5E-KVA003-2A501

501 to 515

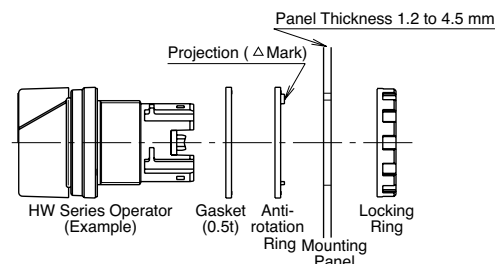
Note: The key number is engraved on the cylinder.

## Dimensions (mm)



## Anti-rotation Ring and Panel cut-out

Align the TOP marking on the operator and the TOP mark on the anti-rotation ring with the recess in the mounting panel.



Panel-cut  
(Complies with IEC 60947-5-1)

